



ma_mpxsndr_01_020000_en_180803

GFE-MPX-SNDR V2

ORION Detection & Extinguishing Multiplexed Sounder Outputs

MADE IN PORTUGAL - EU

GLOBAL FIRE EQUIPMENT S.A.

Sítio dos Barrabés, Armazém Nave Y, Caixa Postal 908-Z, 8150-016 São Brás de Alportel - PORTUGAL

Tel: +351 289 896 560 • Sales: sales@globalfire.pt • Technical Support: techs@globalfire.pt • www.globalfire.pt**TECHNICAL SPECIFICATIONS**

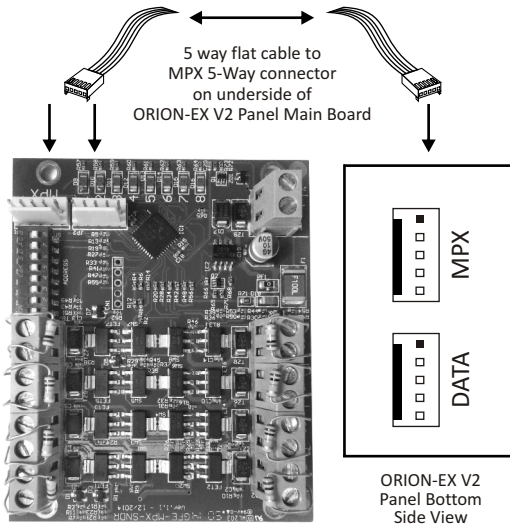
SUPPLY VOLTAGE	(21-29V DC) 24V DC nominal
CURRENT: QUIESCENT	7 mA (without active sounder outputs)
CURRENT: ALARM	7 mA + Sounder Outputs Total Load
EOL RESISTOR	10K Ohms - 1/4 Watt
MAX. SOUNDER OUTPUT CURRENT	200 mA per output
OPER. TEMPERATURE / MAX. HUMIDITY	-10°C to 50°C / 95% RH Non-Condensing
DIMENSIONS / WEIGHT	88 (W) x 72.5 (L) mm / 4 zone: 60 g - 8 zone: 95 g
COMPATIBILITY	ORION-EX V2

ORDER CODE**DESCRIPTION****GFE-MPX-SNDR4 V2**

MULTIPLYED 4 MONITORED SOUNDER OUTPUTS CARD

GFE-MPX-SNDR8 V2

MULTIPLYED 8 MONITORED SOUNDER OUTPUTS CARD

CONNECTIONS

Using the 5 way flat cable provided with the GFE-MPX-SNDR V2, connect this board to the ORION-EX V2 panel between the MPX connector. The MPX connector is located on the underside of the Panel Main Board. On the module both MPX 5 way Molex connectors can be used as they are connected in parallel on the PCB. Supply to the module is normally derived from the Panel Auxilliary Supply Output but an external regulated and stabilized 24V DC supply can also be used. **Polarized Conventional Sounders must be used. Max. Current Load per sounder circuit is 200 mA.**

NOTE: Remove power to both ORION-EX V2 panel and module before proceeding with any connections. Re-apply power after connections are complete and verified.

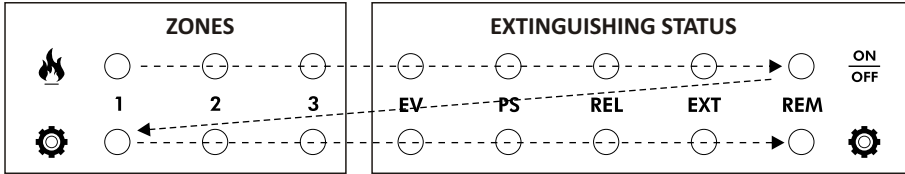
GFE-MPX-SNDR V2 outputs are activated according to ORION-EX V2 status shown in the table below:

GFE-MPX-SNDR	REL 1	REL 2	REL 3	REL 4	REL 5*	REL 6*	REL 7*	REL 8*
ORION-EX V2	Z1 ALARM	Z2 ALARM	Z3F ALARM	Z3X ALARM	S1	Pre-release	RM	RM

(*) These Outputs are only available in GFE-MPX-SNDR8 V2

PANEL COMPATIBILITY

GFE-MPX-SNDR V2 outputs are activated according to
ORION-EX V2 status shown in the table below:



D.I.L. SWITCHES CONFIGURATION



Switches 1-3
Selects delayed output

Switch 8
Not used

Switches 4-7
Set the delay time

DELAY SETTINGS

Sounder Output Selection



Timer Settings

